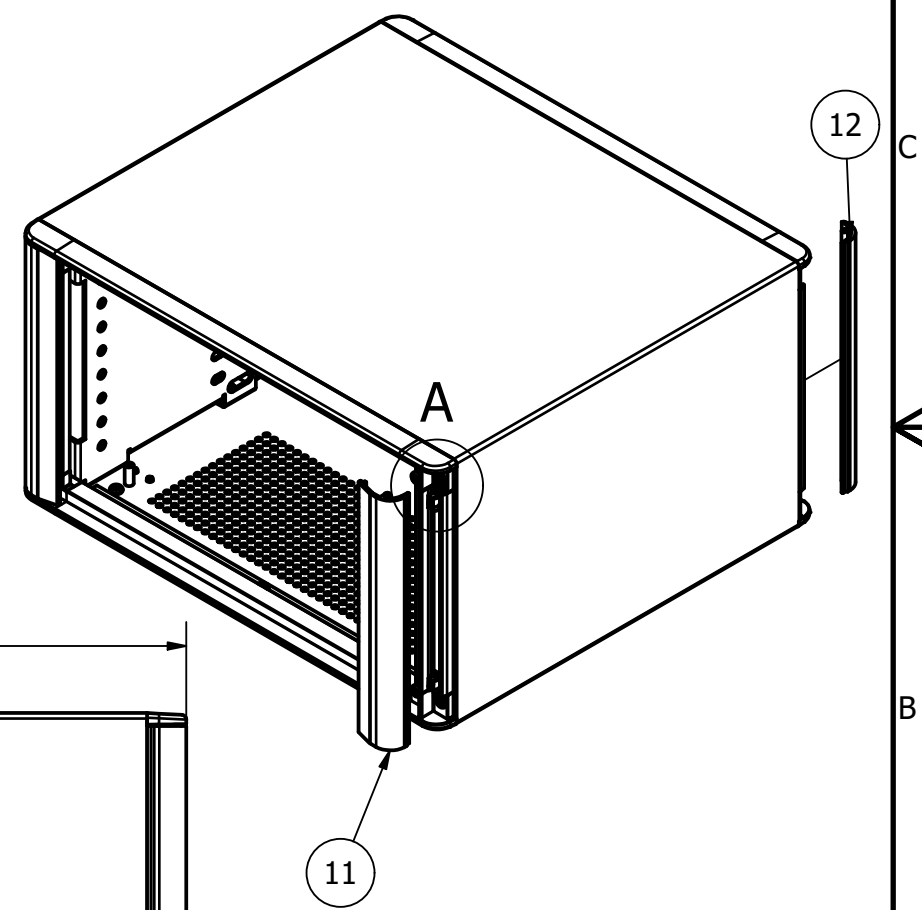
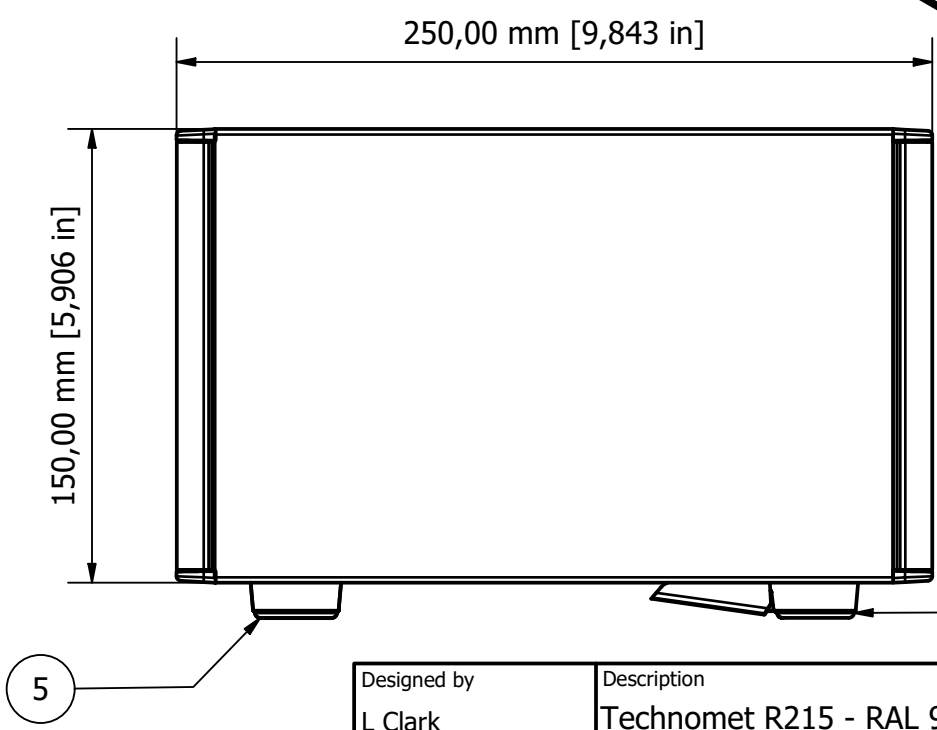
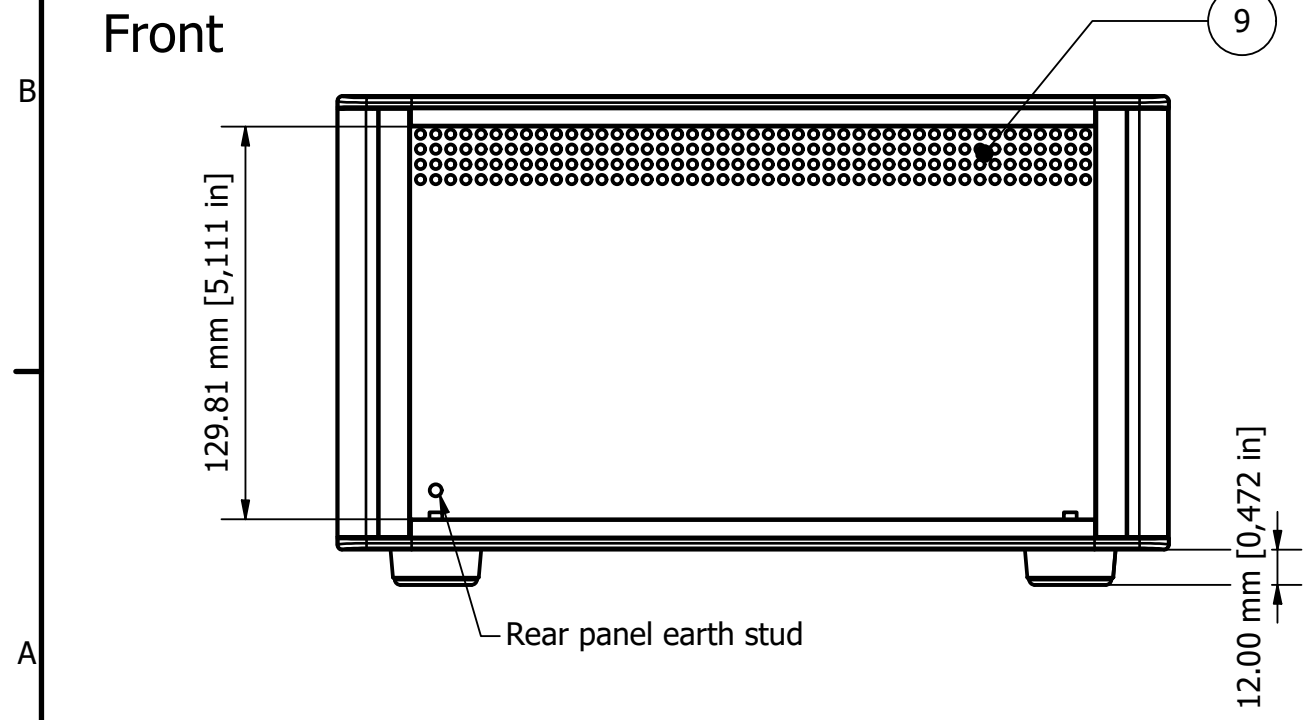


PARTS LIST			
ITEM	QTY	PART NUMBER	DESCRIPTION
1	8	M3x8mm Pan	Rear/Front Panel Screws
2	8	M4x16mm CSK	Bezel Assembly Screws
3	8	M3x6mm CSK	Base Panel Screws
4	8	M6420000	Clip for Trims
5	2	M6420205 flat	Rear Non-Tilt Feet
6	2	M6420205 tilt	Front Tilt Feet
8	1	M6403355	Base/Internal Sides Sub-Assy
9	1	M6403455	Rear Panel - 1.5 mm Thick
10	2	M6401055	Front/Rear Bezel
11	2	M6400057	Front Trim
12	2	M6400077	Rear Trim
13	1	M6402008	Wrap Around Cover

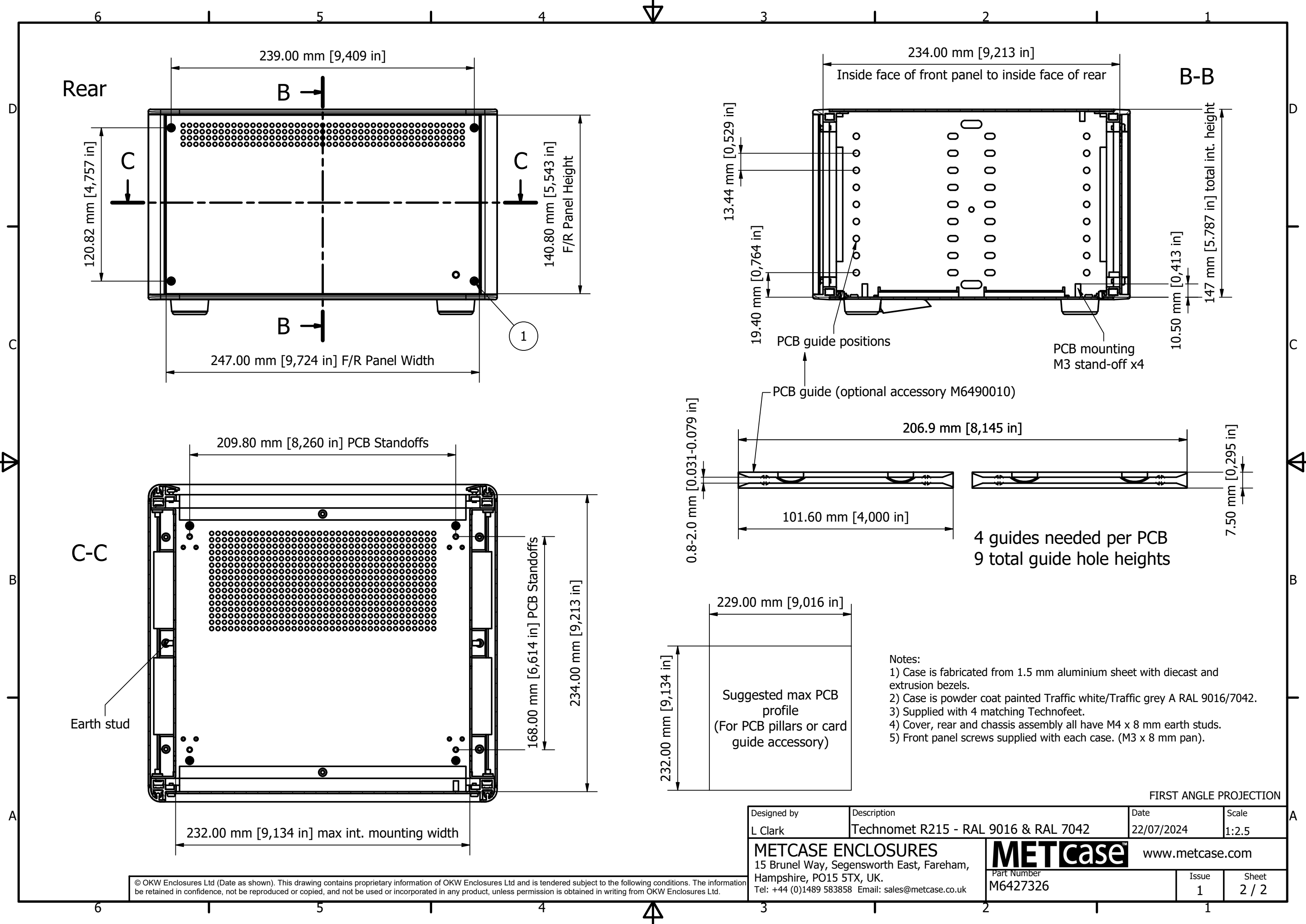


FIRST ANGLE PROJECTION

Front panel (M6400704) sold seperately

Designed by L Clark	Description Technomet R215 - RAL 9016 & RAL 7042	Date 22/07/2024	Scale 1:2.5
METCASE ENCLOSURES 15 Brunel Way, Segensworth East, Fareham, Hampshire, PO15 5TX, UK. Tel: +44 (0)1489 583858 Email: sales@metcase.co.uk		METcase™ www.metcase.com Part Number M6427326	
		Issue 1	Sheet 1 / 2

© OKW Enclosures Ltd (Date as shown). This drawing contains proprietary information of OKW Enclosures Ltd and is tendered subject to the following conditions. The information be retained in confidence, not be reproduced or copied, and not be used or incorporated in any product, unless permission is obtained in writing from OKW Enclosures Ltd.



Rear

B-B

C-C

Notes:

- 1) Case is fabricated from 1.5 mm aluminium sheet with diecast and extrusion bezels.
- 2) Case is powder coat painted Traffic white/Traffic grey A RAL 9016/7042.
- 3) Supplied with 4 matching Technofeet.
- 4) Cover, rear and chassis assembly all have M4 x 8 mm earth studs.
- 5) Front panel screws supplied with each case. (M3 x 8 mm pan).

Suggested max PCB profile
(For PCB pillars or card guide accessory)

4 guides needed per PCB
9 total guide hole heights

FIRST ANGLE PROJECTION

Designed by L Clark	Description Technomet R215 - RAL 9016 & RAL 7042	Date 22/07/2024	Scale 1:2.5
METCASE ENCLOSURES 15 Brunel Way, Segensworth East, Fareham, Hampshire, PO15 5TX, UK. Tel: +44 (0)1489 583858 Email: sales@metcase.co.uk		METcase™ www.metcase.com Part Number M6427326	
		Issue 1	Sheet 2 / 2

© OKW Enclosures Ltd (Date as shown). This drawing contains proprietary information of OKW Enclosures Ltd and is tendered subject to the following conditions. The information be retained in confidence, not be reproduced or copied, and not be used or incorporated in any product, unless permission is obtained in writing from OKW Enclosures Ltd.