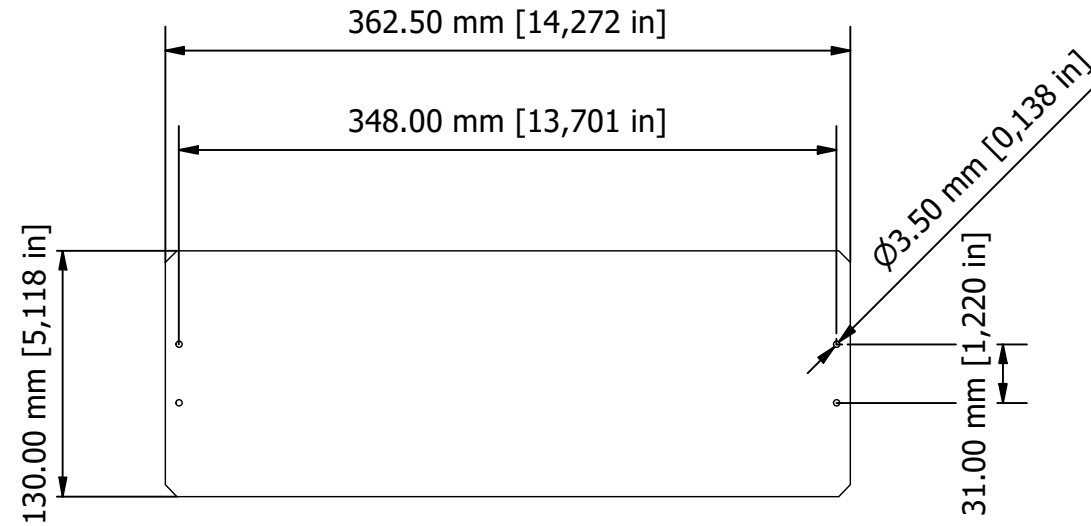
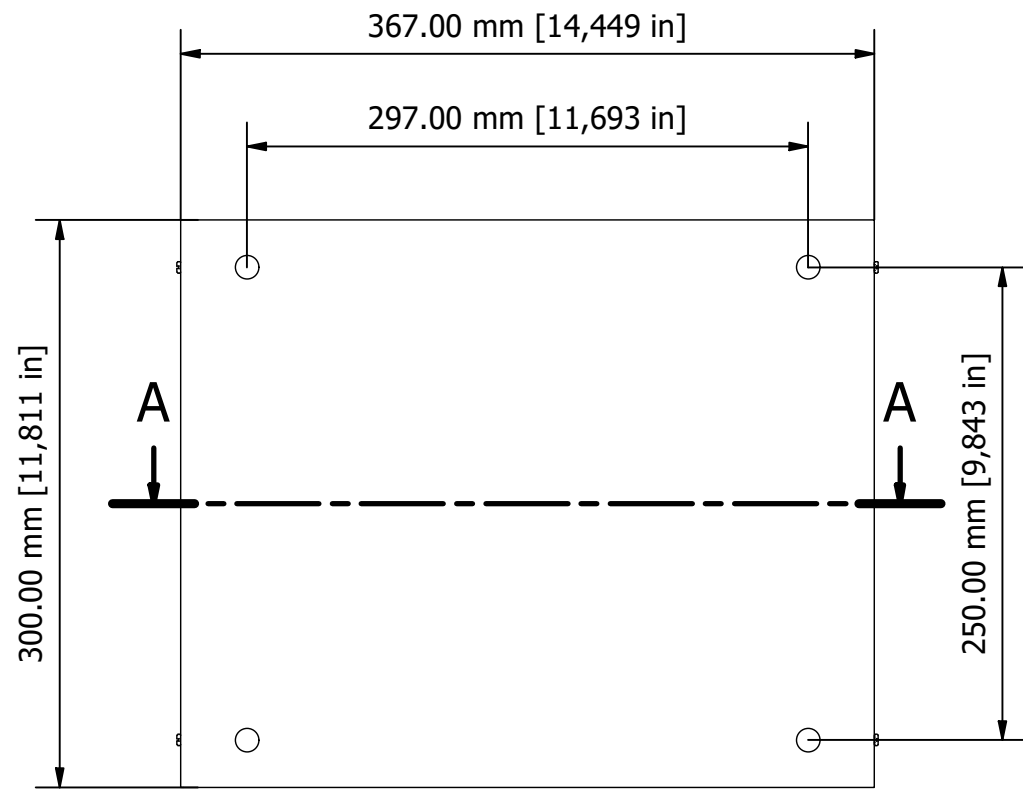
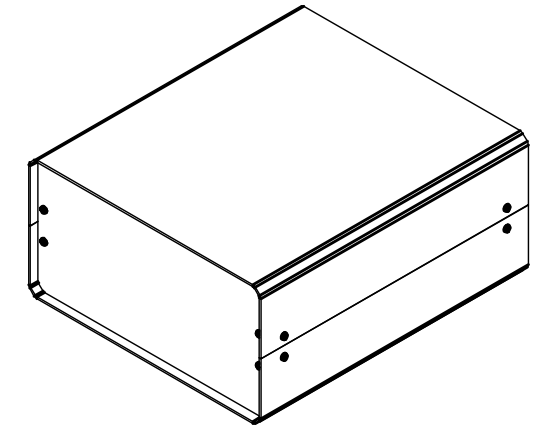


Base

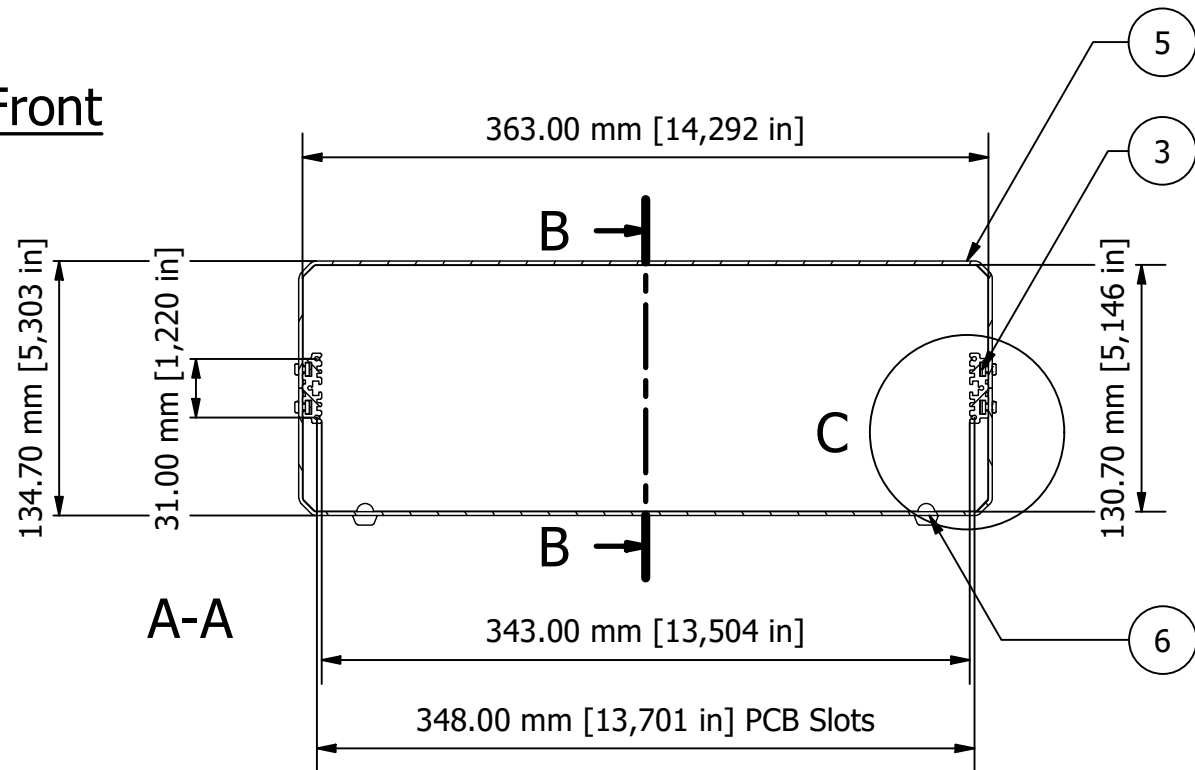


Anodised Front Panel
2 off - 2mm Thick.

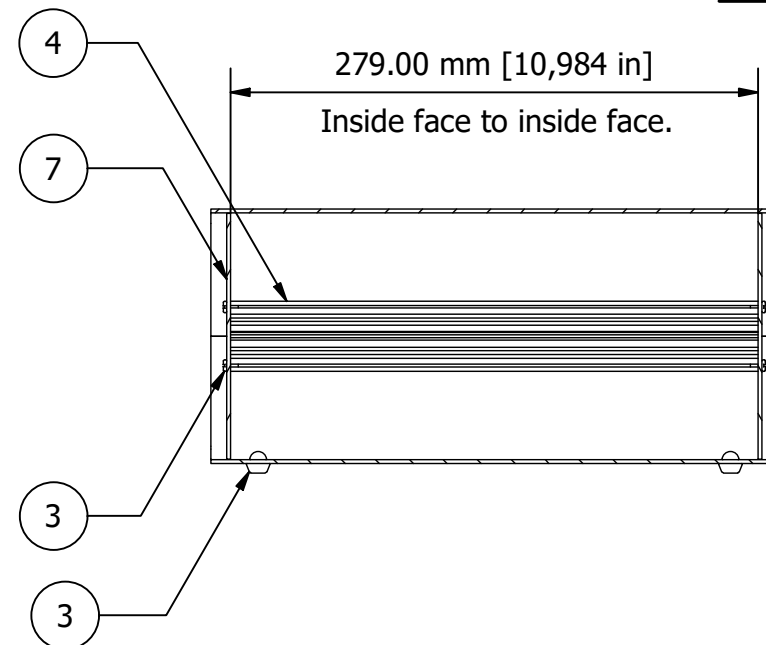


PARTS LIST			
ITEM	QTY	PART NUMBER	DESCRIPTION
3	4	M5403016	Unibase Assembly Kit
4	2	M5400004	Extrusion
5	1	M5401010	Top Cover
6	1	M5401122	Base Panel
7	2	M5402005	Front/Rear Panels

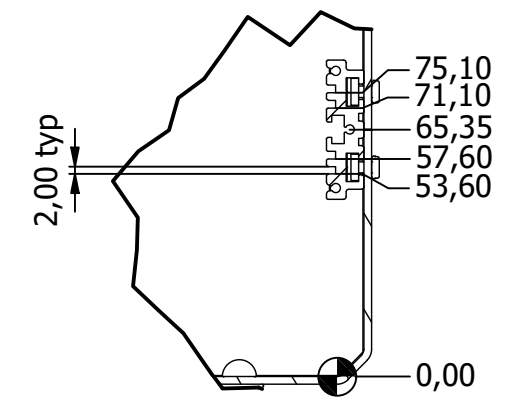
Front



Side



Detail C



FIRST ANGLE PROJECTION

Designed by L Clark	Description UNICASE 5 TRAFFIC WHITE	Date 26/02/2025	Scale 1:4
METCASE ENCLOSURES 15 Brunel Way, Segensworth East, Fareham, Hampshire, UK. PO15 5TX Tel: +44 (0)1489 583858 Email: metcase@okw.co.uk		METcase™ www.metcase.com Part Number M5505116	
		Issue 1	Sheet 1 / 1