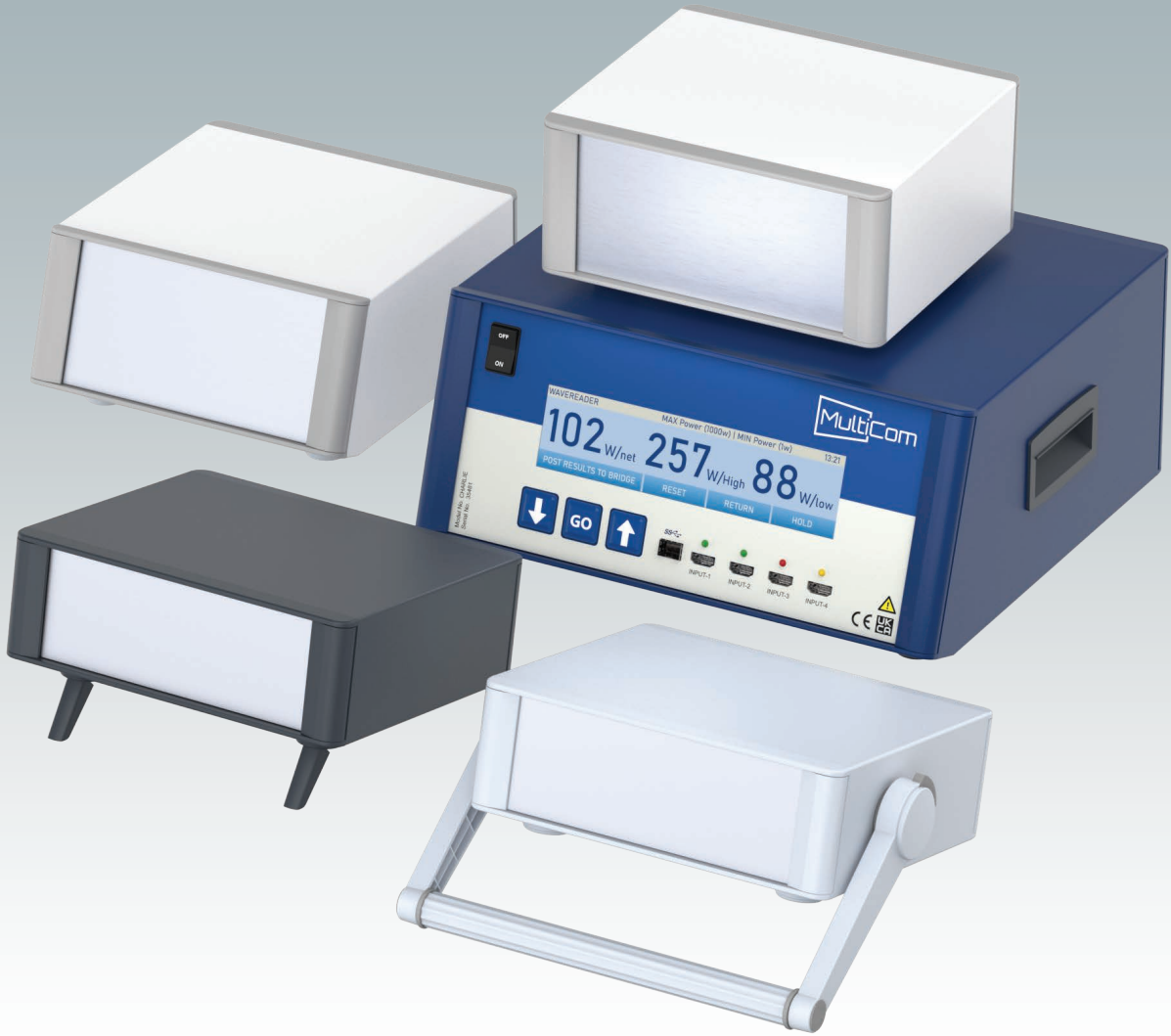


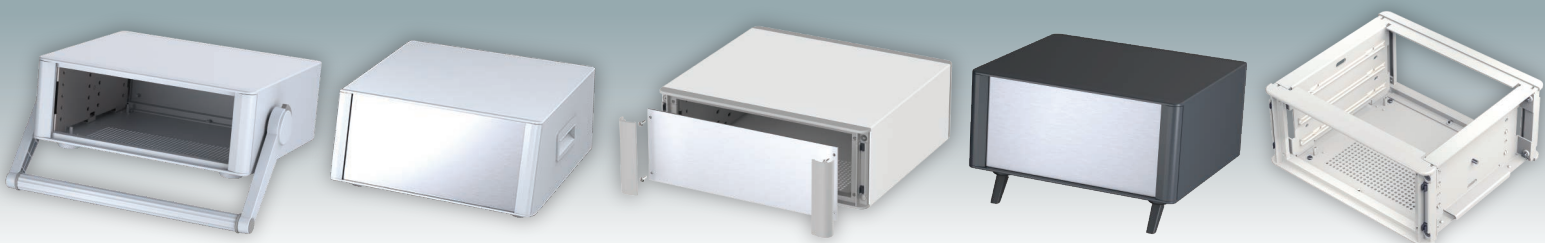
MET case™

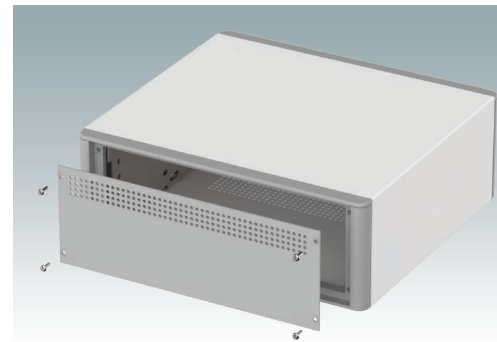
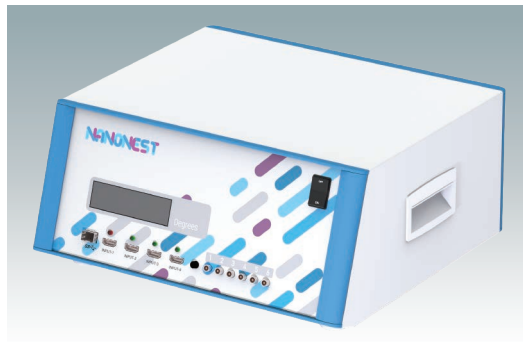
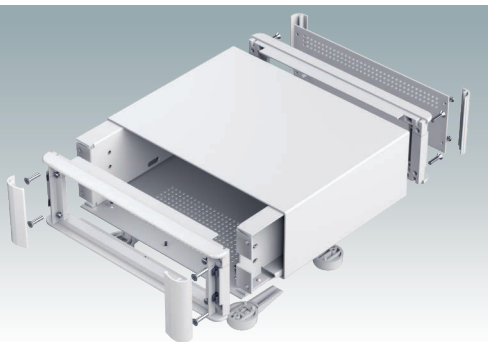
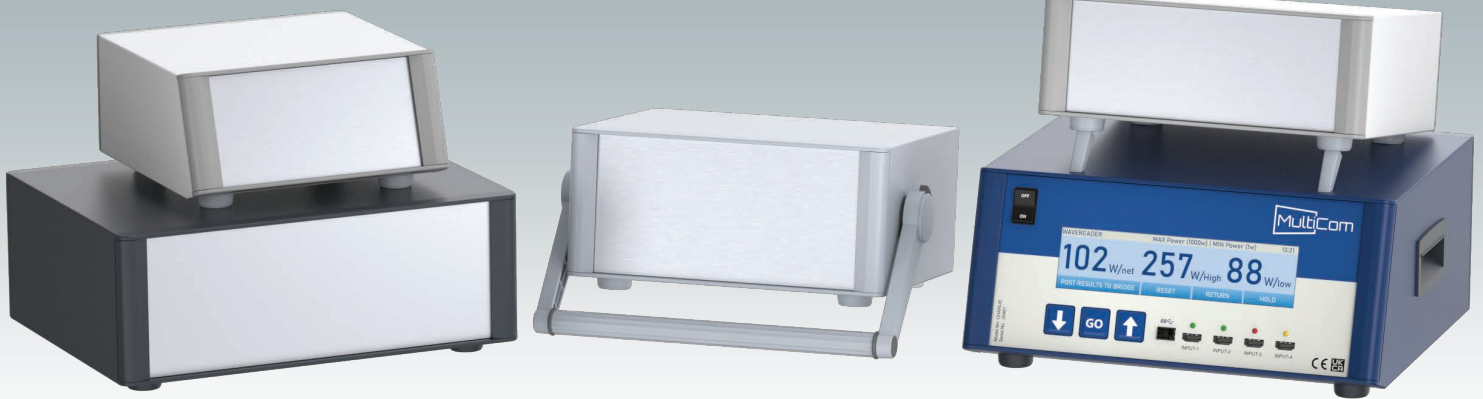
Electronic Enclosures



TECHNOMET

Advanced Electronic
Instrument Enclosures



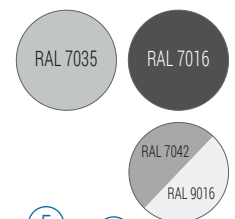


Advanced Electronic Instrument Enclosures

Highly attractive aluminium instrument enclosures for portable electronics. Modern and cohesive design with no visible fixing screws. Diecast front and rear bezels fit flush in the case body. Snap-on front and rear trims hide the case and front panel screws. Ventilation holes in the base and rear panel. Four PCB mounting pillars in the base. Internal chassis for slide-in PCBs. Earth points on all panels. Versions with or without side handles or a carry handle. Supplied with ABS non-slip feet with front tilt legs. Order front panels and PCB guides separately. Order your own fully customised version.

Standard colours

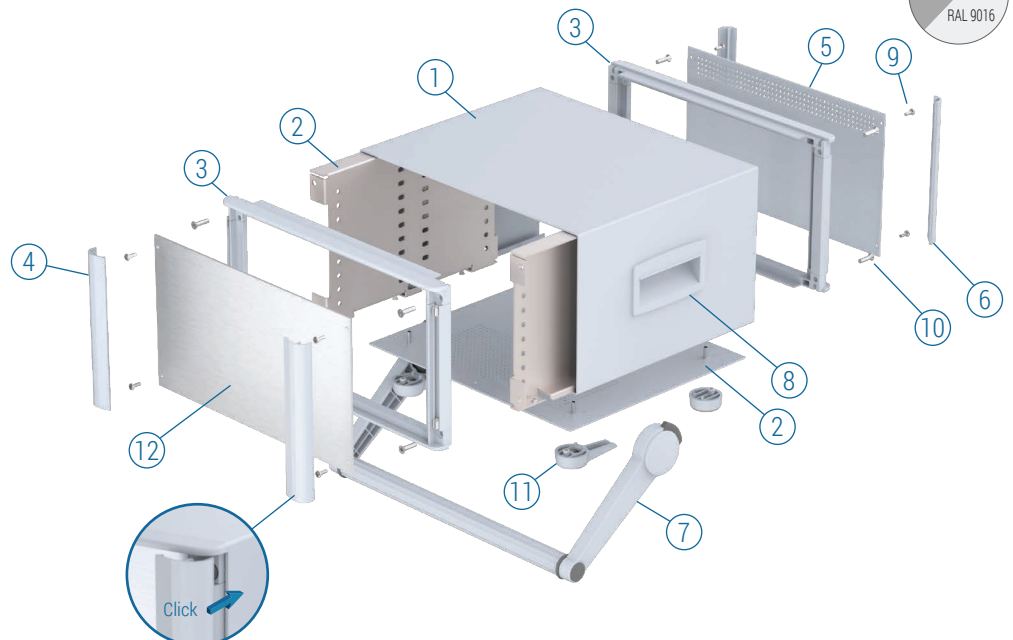
Light grey RAL 7035.
Antracite RAL 7016.
Traffic white RAL 9016.
Traffic grey A RAL 7042.



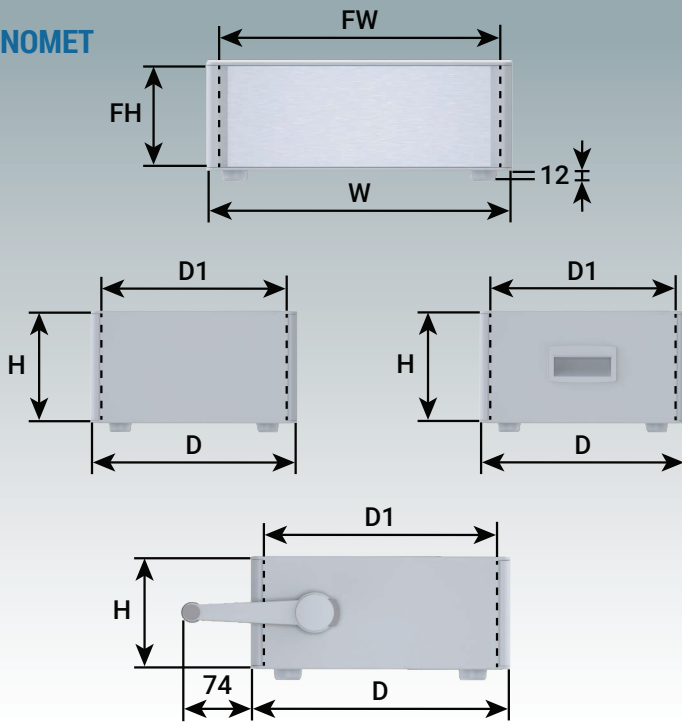
Supply

- ① Top cover
- ② Base/chassis
- ③ Front bezel (x2)
- ④ Front trim (x2)
- ⑤ Rear panel
- ⑥ Rear trim (x2)
- ⑦ Carry handle (Ver. H)
- ⑧ Side handle (x2 Ver. S)
- ⑨ M3 x 8 mm (x10)
- ⑩ M4 x 16 mm (x8)
- ⑪ ABS feet
- ⑫ *Front panel kit

*accessories



TECHNOMET



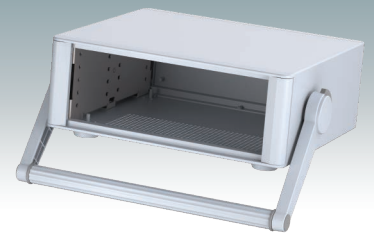
VERSION Rxxx



VERSION RxxxS



VERSION RxxxH



WITHOUT HANDLE

Part No.	Part No.	Part No.	Version	H	W	D	D1	FW Front Panel	FH Front Panel	PCB Width (max.)	PCB Depth (max.)
RAL 7042/9016	RAL 7016	RAL 7035									
M 64 22 026	M 64 22 024	M 64 22 025	R107	75	225	200	184	197	65.8	179	182
M 64 22 126	M 64 22 124	M 64 22 125	R110	100	225	200	184	197	90.8	179	182
M 64 27 126	M 64 27 124	M 64 27 125	R210	100	275	250	234	247	90.8	229	232
M 64 27 226	M 64 27 224	M 64 27 225	R212	125	275	250	234	247	115.8	229	232
M 64 27 326	M 64 27 324	M 64 27 325	R215	150	275	250	234	247	140.8	229	232
M 64 35 126	M 64 35 124	M 64 35 125	R310	100	350	275	259	322	90.8	304	257
M 64 35 226	M 64 35 224	M 64 35 225	R312	125	350	275	259	322	115.8	304	257
M 64 35 326	M 64 35 324	M 64 35 325	R315	150	350	275	259	322	140.8	304	257

WITH SIDE HANDLES

Part No.	Part No.	Part No.	Version	H	W	D	D1	FW Front Panel	FH Front Panel	PCB Width (max.)	PCB Depth (max.)
RAL 7042/9016	RAL 7016	RAL 7035									
M 64 27 356	M 64 27 354	M 64 27 355	R215S	150	275	250	234	247	140.8	229	232
M 64 35 356	M 64 35 354	M 64 35 355	R315S	150	350	275	259	322	140.8	304	257

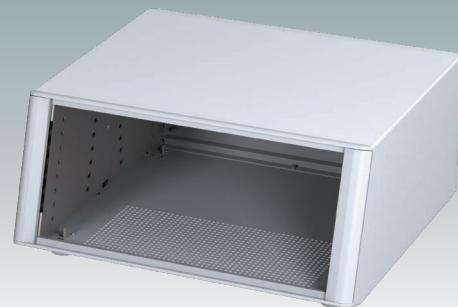
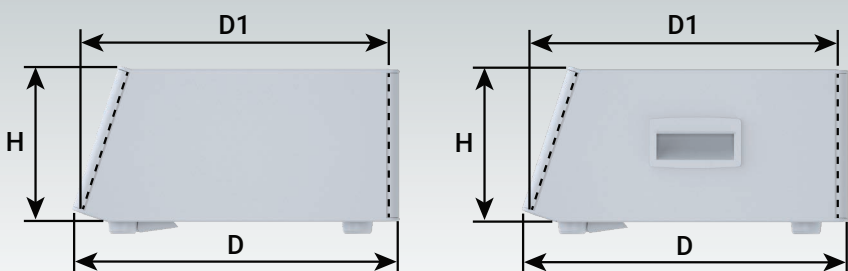
WITH CARRY HANDLE

Part No.	Part No.	Version	H	W	D	D1	FW Front Panel	FH Front Panel	PCB Width (max.)	PCB Depth (max.)
RAL 7016	RAL 7035									
M 64 22 034	M 64 22 035	R107H	75	225	200	184	197	65.8	179	182
M 64 22 134	M 64 22 135	R110H	100	225	200	184	197	90.8	179	182
M 64 27 134	M 64 27 135	R210H	100	275	250	234	247	90.8	229	232
M 64 27 234	M 64 27 235	R212H	125	275	250	234	247	115.8	229	232
M 64 27 334	M 64 27 335	R215H	150	275	250	234	247	140.8	229	232
M 64 35 134	M 64 35 135	R310H	100	350	275	259	322	90.8	304	257
M 64 35 234	M 64 35 235	R312H	125	350	275	259	322	115.8	304	257
M 64 35 334	M 64 35 335	R315H	150	350	275	259	322	140.8	304	257

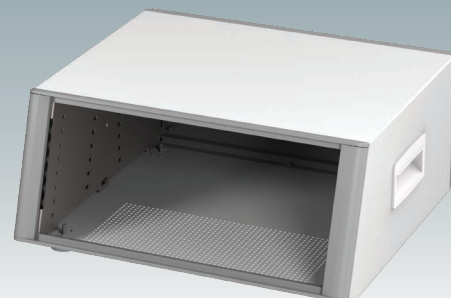
For full 2D drawings and 3D models please see our website.

For front panels and accessories see page 5.

TECHNOMET SL



VERSION SLxxx



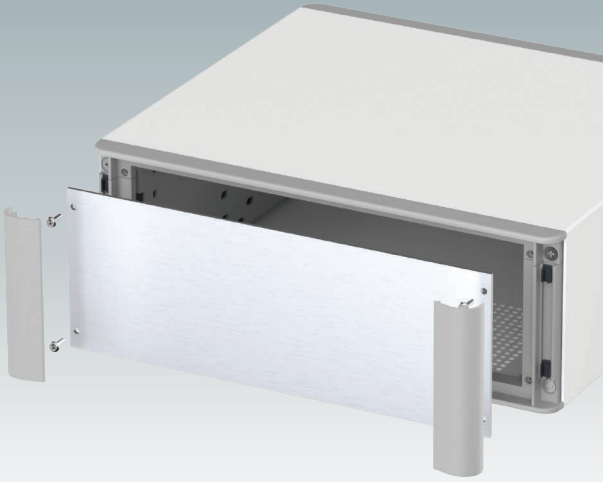
VERSION SLxxxS

WITHOUT SIDE HANDLES

Part No.	Part No.	Part No.	Version	H	W	D	D1	FW Front Panel	FH Front Panel	PCB Width (max.)	PCB Depth (max.)
RAL 7042/9016	RAL 7016	RAL 7035									
M 64 23 126	M 64 23 124	M 64 23 125	SL110	100	225	230	213.7	197	90.8	179	210
M 64 28 226	M 64 28 224	M 64 28 225	SL212	125	275	285	268.7	247	115.8	229	265
M 64 36 356	M 64 36 354	M 64 36 355	SL315	150	350	320	303.7	322	140.8	304	300

WITH SIDE HANDLES

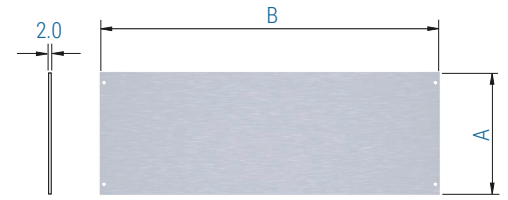
Part No.	Part No.	Part No.	Version	H	W	D	D1	FW Front Panel	FH Front Panel	PCB Width (max.)	PCB Depth (max.)
RAL 7042/9016	RAL 7016	RAL 7035									
M 64 36 326	M 64 36 324	M 64 36 325	SL315S	150	350	320	303.7	322	140.8	304	300



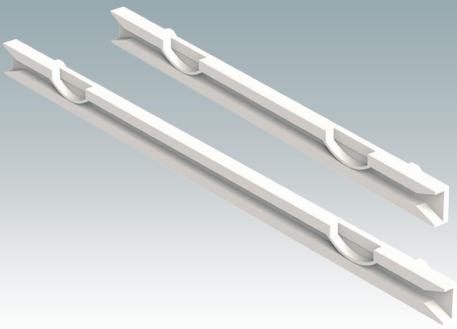
Front Panel Kits

Supply:

1 Panel
(2 mm matt anodised aluminium)

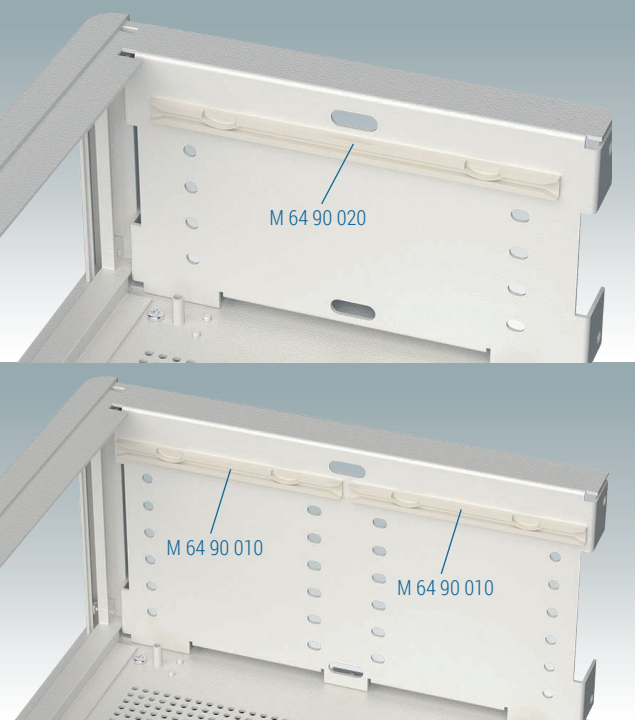
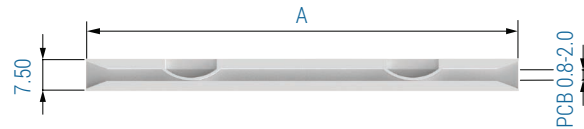


Part No.	Version	A	B
M 64 00 700	R107/R107H	65.8	197
M 64 00 701	R110/SL110/R110H	90.8	197
M 64 00 702	R210/R210H	90.8	247
M 64 00 703	R212/SL212/R212H	115.8	247
M 64 00 704	R215/R215S/R215H	140.8	247
M 64 00 705	R310/R310H	90.8	322
M 64 00 706	R312/R312H	115.8	322
M 64 00 707	R315/R315S/SL315/SL315S/R315H	140.8	322



PCB Guides

Four PCB guides are supplied with each case as standard.
You can order additional guides [here](#).



Part No.	A	Technomet Version	Guides per PCB	Guide positions in case
M 64 90 020	140	R107/R107H	2	3
		R110/R110H	2	5
		SL110	2	5
M 64 90 010	102	R210/R210H	4	5
		R212/R212H	4	7
		SL212	4	7
		R215/R215S/R215H	4	9
		R310/R310H	4	5
		R312/R312H	4	7
		R315/R315S/R315H	4	9
SL315/SL315S	4	9		



Order your own customised version

We can supply the TECHNOMET enclosures fully customised to your individual technical specifications. All external dimensions – height, width and depth – can be modified to ensure your PCB assemblies and equipment will fit exactly.

The enclosures and front panels can be machined with holes and cutouts for fitting displays, keypads, HMI touch panels, control buttons and connections.

Other services include adding inserts and screw bosses; custom colours and finishes; digital and silk-screen printing, and engraving.

Having a flexible manufacturing system allows us to offer competitive prices even for small quantities. Do not hesitate to ask us for a quotation.

Our sales team will be very happy to discuss your requirements and help you specify your TECHNOMET enclosures exactly as you need them.



METcase™

MANUFACTURER

Metcase Enclosures
A division of:
OKW Enclosures Ltd.
15 Brunel Way
Segensworth East
Fareham, Hampshire
PO15 5TX
United Kingdom

Telephone: +44 (0) 1489 583858
Email: sales@metcase.co.uk
Website: www.metcase.co.uk

© OKW Enclosures Ltd. All rights reserved
Catalogue Edition 1.1 – February 2025.
This catalogue will be valid until 31/12/2027.
Subject to technical modifications without notice.
Typographical and other errors do not justify any
claim for damages.
Digital Version: 02/2025e

Presented by:

Find your local sales partner here:



UNITED KINGDOM | IRELAND
OKW ENCLOSURES LTD
15 Brunel Way,
Segensworth East,
Fareham, PO15 5TX
United Kingdom
Phone: +44 (0) 1489 583858
Email: sales@metcase.co.uk
Website: www.metcase.co.uk



AUSTRALIA | NEW ZEALAND
ROLEC OKW Australia New Zealand PTY LTD
Unit 6/29 Coombes Drive, Penrith NSW 2750
Phone: +61 2 4722 3388
Email: metcase@rolec-okw.com.au
Website: www.metcase.com.au



BELGIUM | LUXEMBOURG
TelereX N.V.
Uilenbaan 90 Unit 8, 2160 Wommelgem
Tel: +32 (0)3 3 26 40 00
Email: info@telereX-europe.com
Website: www.metcase.co.uk



BRAZIL
sob Schurter + OKW do Brasil
Componentes Eletrônicos Ltda.
Rua Barão do Triunfo,
88 - Sala 606 Brooklin,
São Paulo/SP CEP 04602-000
Phone: +55 (11) 50 90 00 30
Email: info@sob-brasil.com
Website: www.metcase.co.uk



ISRAEL
P. Weiss
20 Ha-Ta'as st.
P.O.B. 50 Kfar-Saba, 4442520.
Phone +972 9 7677500
Email: pweiss@pweiss.co.il
Website: www.metcase.co.uk



ITALY
Alhof di A. Hofmann SPA
Via Melegnano 20,
20019 Settimo Milanese MI
Phone: (02) 28 50 08 1
Email: alhof@alhof.com
Website: www.metcase.co.uk



NETHERLANDS
TelereX Nederland B.V.
Postbus 6852, 4802 HW Breda
Tel: +31 (0)76 5 78 20 00
Email: info@telereX-europe.com
Website: www.metcase.co.uk

www.metcase.co.uk