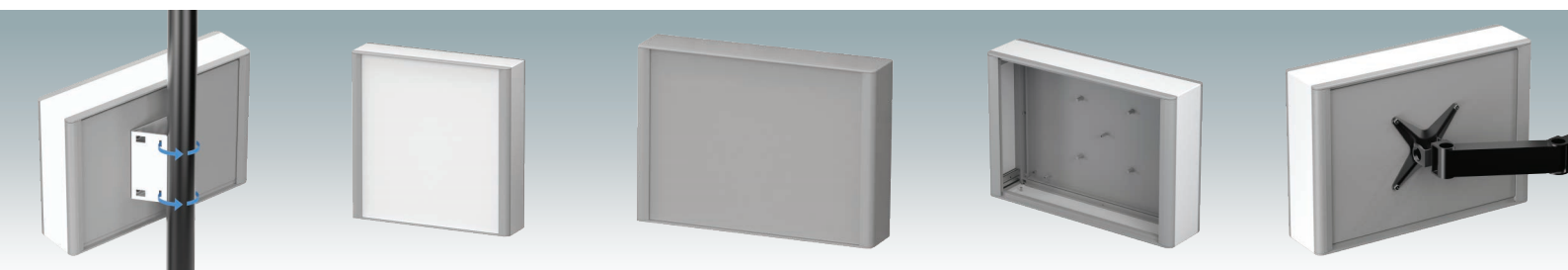


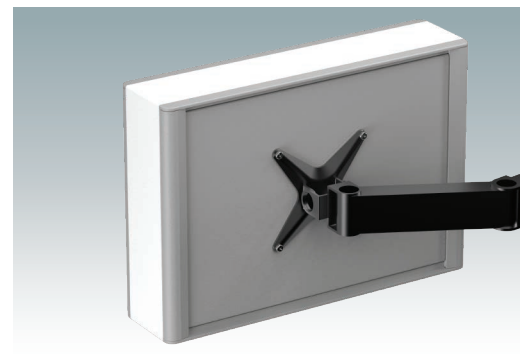
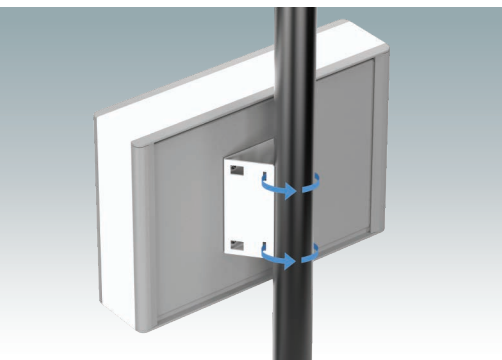
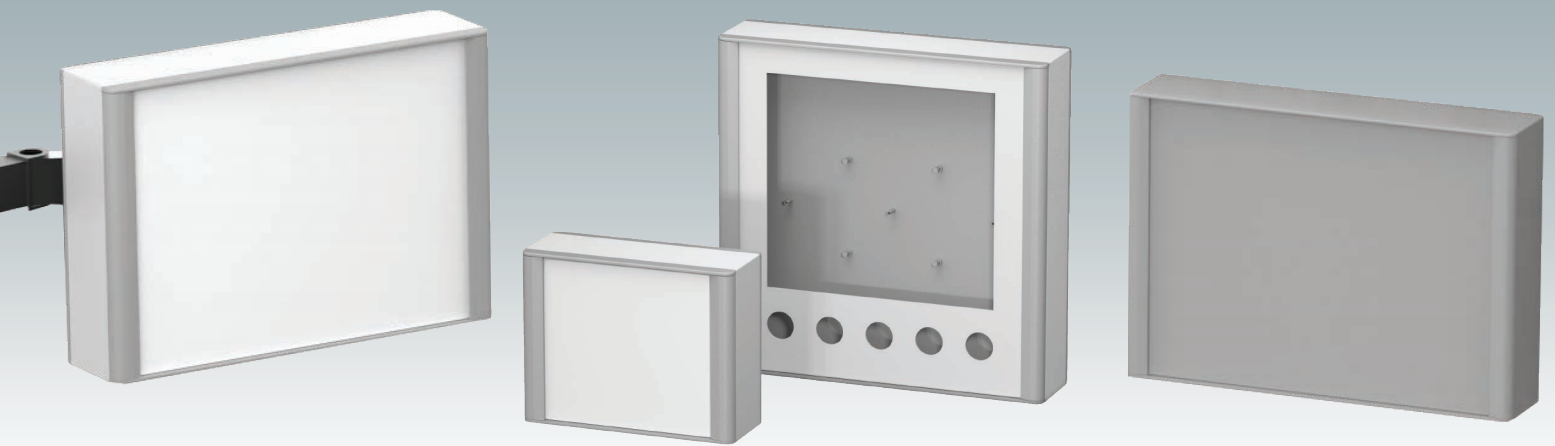
NEW!

TECHNOMET-CONTROL

VESA-Mount Metal Enclosures
For HMI Control Electronics



TECHNOMET-CONTROL



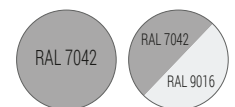
Highly versatile VESA-mount enclosures for HMI control electronics

Advanced aluminium housings developed for the installation of standard displays, panel PCs, HMIs (Siemens, Beckhoff, B&R...) and touch screens of various sizes. Cohesive design in four standard sizes with a slim profile just 95 mm deep. Specifically suitable for Siemens TP displays, screen sizes KTP400 to TP1200*. Standard VESA MIS-D 100 mounting on the rear for a control arm, wall bracket etc. Diecast front/rear bezels fit flush with the case body for a smooth appearance. Standard internal mounting options – M3 PCB pillars on the rear panel, M3 holes and guide rails in the assembly extrusions for holding internal plates. Snap-on trims in the bezels hide all the assembly screws. Removable base panel on the underside with space for cable entry. All case panels fitted with M4 threaded pillars for earth connections. Anodised and painted front panels (accessories) – recessed in the bezels to protect displays, keypads etc. Direct wall/machine mounting (with accessory kit). Accessory pole mounting bracket for poles \varnothing 50 mm or larger. Accessory internal mount plate kit. Order your own fully customised version.

*For Siemens TP Series mounting instructions datasheet, see our website.

Standard colours

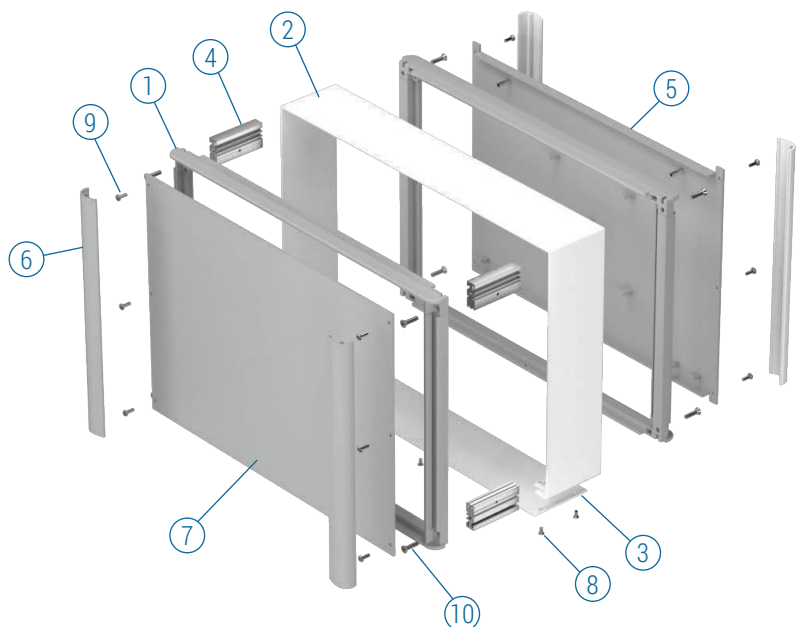
Traffic white RAL 9016.
Traffic grey A RAL 7042.

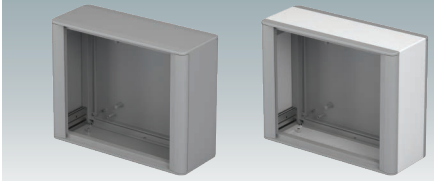
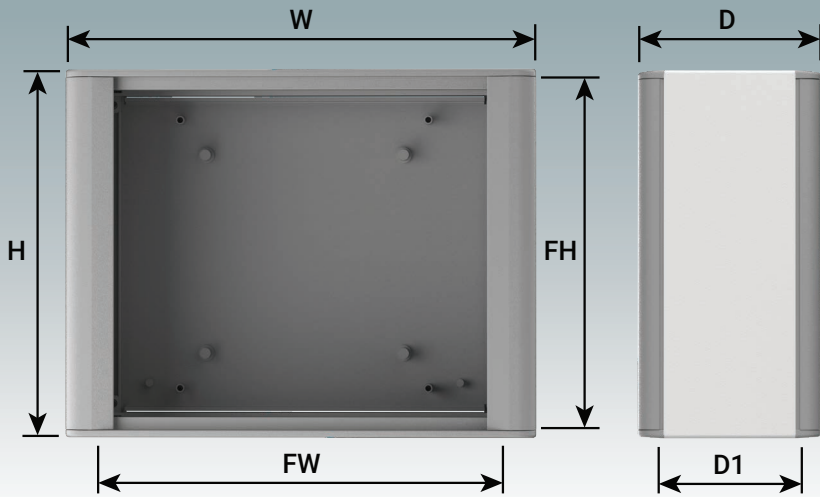


Supply

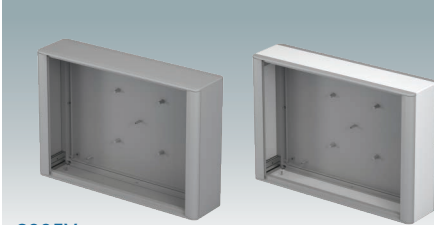
- ① Bezel (x2)
- ② Top cover
- ③ Base
- ④ Assembly extrusion (x4)
- ⑤ Rear panel
- ⑥ Bezel trim (x4)
- ⑦ Front panel*
- ⑧ M3 x 6 mm
- ⑨ M3 x 8 mm
- ⑩ M4 x 16 mm

*accessory
Supplied assembled.

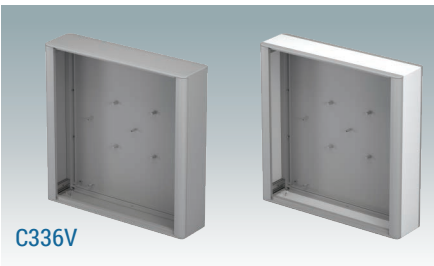
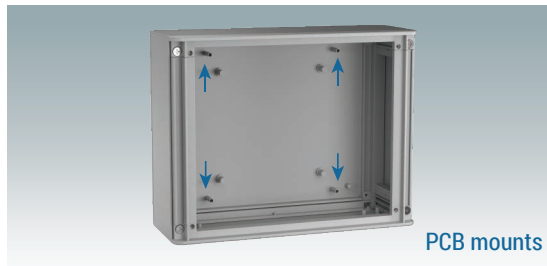
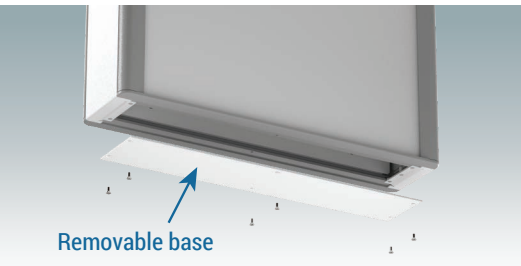




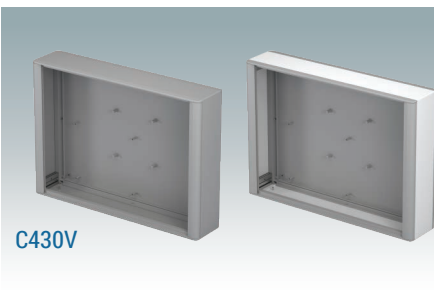
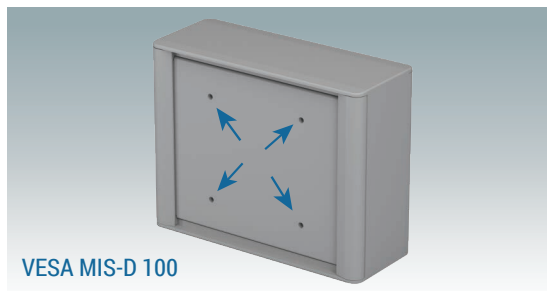
C218V



C325V



C336V

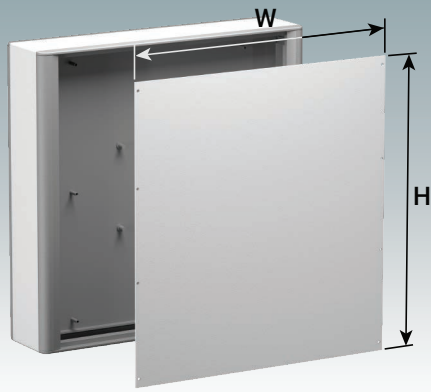


C430V

TECHNOMET-CONTROL

Part No.	Colour	Version	W	H	D	D1	FW Front Panel	FH Front Panel	PCB W (max.)	PCB H (max.)
M70 23 002	RAL 7042	C218V	230	180	95	79	202	170.8	181	155
M70 23 006	RAL 7042/9016	C218V	230	180	95	79	202	170.8	181	155
M70 36 102	RAL 7042	C325V	360	250	95	79	332	240.8	311	225
M70 36 106	RAL 7042/9016	C325V	360	250	95	79	332	240.8	311	225
M70 36 402	RAL 7042	C336V	360	360	95	79	332	350.8	311	335
M70 36 406	RAL 7042/9016	C336V	360	360	95	79	332	350.8	311	335
M70 42 202	RAL 7042	C430V	420	300	95	79	392	290.8	371	275
M70 42 206	RAL 7042/9016	C430V	420	300	95	79	392	290.8	371	275

For full 2D drawings and 3D models please see our website.



Front Panels

Material:
2 mm aluminium.

Supply:
front panel (fixings included with enclosures).

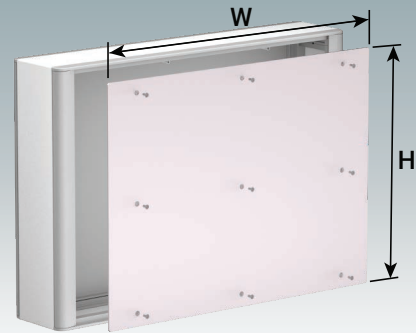
Finish:
anodised or painted (traffic white RAL 9016 or traffic grey A RAL 7042).

Part No.	Colour	For version	W	H
M70 00 700	Anodised	C218V	202	170.8
M70 00 720	RAL 9016	C218V	202	170.8
M70 00 740	RAL 7042	C218V	202	170.8
M70 00 702	Anodised	C325V	332	240.8
M70 00 722	RAL 9016	C325V	332	240.8
M70 00 742	RAL 7042	C325V	332	240.8
M70 00 704	Anodised	C336V	332	350.8
M70 00 724	RAL 9016	C336V	332	350.8
M70 00 744	RAL 7042	C336V	332	350.8
M70 00 706	Anodised	C430V	392	290.8
M70 00 726	RAL 9016	C430V	392	290.8
M70 00 746	RAL 7042	C430V	392	290.8

Internal Mounting Plate Kit

Material:
1.5 mm unfinished aluminium.

Supply:
mounting plate and fixing screws.



Part No.	For version	W	H
M70 00 940	C218V	181	155
M70 00 942	C325V	311	225
M70 00 944	C336V	311	335
M70 00 946	C430V	371	275

Pole Mounting Kit

Pole mounting bracket for fixing the enclosure to a pole $\varnothing 50$ mm or larger (mounting straps not included). Fits to the VESA mounting holes on the rear panel.

Material:
2 mm CR4 steel.

Finish:
painted (traffic white RAL 9016).

Supply:
bracket and fixing screws.

Part No.	For version	W	H
M70 00 920	All versions	119.7	125

Wall Mounting Kit

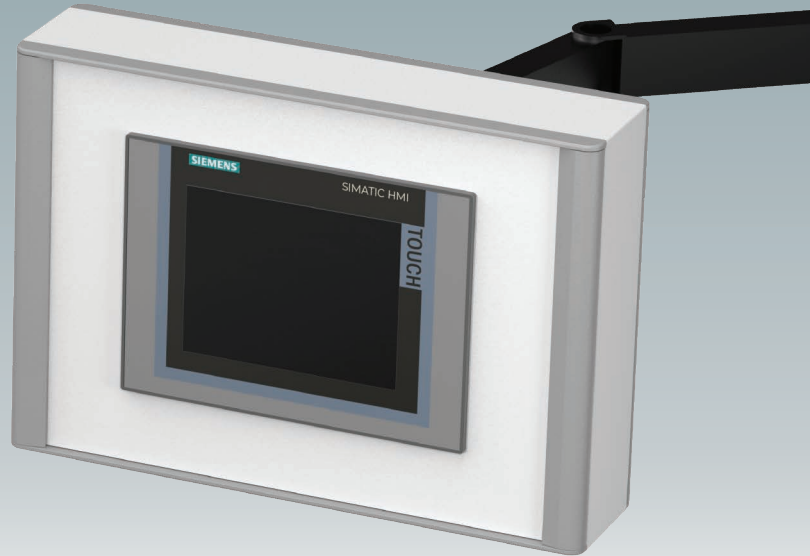
Material:
1.5 mm CR4 steel.

Supply:
wall plate, enclosure bracket (x2) and fixing screws.

Finish:
painted (traffic white RAL 9016).



Part No.	Type	For version
M70 00 900	S	C218V
M70 00 905	L	C325V, C336V, C430V



Order your own customised version

We can supply the TECHNOMET-CONTROL enclosures fully customised to your individual technical specifications.

All external dimensions – height, width and depth – can be modified to ensure your PCB assemblies and equipment will fit exactly.

The enclosures and front panels can be machined with holes and cutouts for fitting displays, keypads, HMI touch panels (such as Siemens TP series), control buttons and connections.

Other services include adding inserts and screw bosses; custom colours and finishes; digital and silk-screen printing, and engraving.

Having a flexible manufacturing system allows us to offer competitive prices even for small quantities. Do not hesitate to ask us for a quotation.

Our sales team will be very happy to discuss your requirements and help you specify your TECHNOMET-CONTROL enclosures exactly as you need them.



METcase™

MANUFACTURER

Metcase Enclosures
 A division of:
 OKW Enclosures Ltd.
 15 Brunel Way
 Segensworth East
 Fareham, Hampshire
 PO15 5TX
 United Kingdom

Telephone: +44 (0) 1489 583858
 Email: sales@metcase.co.uk
 Website: www.metcase.co.uk

© OKW Enclosures Ltd. All rights reserved
 Catalogue Edition 1 – May 2024.
 This catalogue will be valid until 31/12/2027.
 Subject to technical modifications without notice.
 Typographical and other errors do not justify any
 claim for damages.
 Digital Version: 05/2024e

Presented by:

Find your local sales partner here:



UNITED KINGDOM | IRELAND
 OKW ENCLOSURES LTD
 15 Brunel Way,
 Segensworth East,
 Fareham, PO15 5TX
 United Kingdom
 Phone: +44 (0) 1489 583858
 Email: sales@metcase.co.uk
 Website: www.metcase.co.uk



AUSTRALIA | NEW ZEALAND
 ROLEC OKW Australia New Zealand PTY LTD
 Unit 6/29 Coombes Drive, Penrith NSW 2750
 Phone: +61 2 4722 3388
 Email: metcase@rolec-okw.com.au
 Website: www.metcase.com.au



BELGIUM | LUXEMBOURG
 Telerex N.V.
 Uilenbaan 90 Unit 8, 2160 Wommelgem
 Tel: +32 (0)3 3 26 40 00
 Email: info@telereurope.com
 Website: www.metcase.co.uk



BRAZIL
 sob Schurter + OKW do Brasil
 Componentes Eletrônicos Ltda.
 Rua Barão do Triunfo,
 88 - Sala 606 Brooklin,
 São Paulo/SP CEP 04602-000
 Phone: +55 (11) 50 90 00 30
 Email: info@sob-brasil.com
 Website: www.metcase.co.uk



ISRAEL
 P. Weiss
 20 Ha-Ta'as st.
 P.O.B. 50 Kfar-Saba, 4442520.
 Phone +972 9 7677500
 Email: pweiss@pweiss.co.il
 Website: www.metcase.co.uk



ITALY
 Alhof di A. Hofmann SPA
 Via Melegnano 20,
 20019 Settimo Milanese MI
 Phone: (02) 28 50 08 1
 Email: alhof@alhof.com
 Website: www.metcase.co.uk



NETHERLANDS
 Telerex Nederland B.V.
 Postbus 6852, 4802 HW Breda
 Tel: +31 (0)76 5 78 20 00
 Email: info@telereurope.com
 Website: www.metcase.co.uk

www.metcase.co.uk